

## INTERNATIONAL LIMITED WARRANTY

ARX Systems (ARX) warrants to the first purchaser of any ARX equipment that it is free from defects in materials and workmanship under normal use and service. ARX's sole obligation under this warranty shall be to provide, without charge, parts and labour necessary to remedy defects, if any, which appear within twelve (12) months from date of purchase, and for a further twelve (12) months supply parts only.

**This is our only warranty.** It does not cover finish or appearance items, burned voice coils, or if the equipment has been, in ARX's sole judgement:

- Subjected to misuse, abuse, negligence or accident;
- Repaired, worked on, or altered by persons not authorized by ARX;
- Connected, installed, adjusted or used for a purpose other than that for which it was designed. This includes running a speaker system with the ISC leads disconnected, or with a non-ARX crossover, or with the wrong processor.

This warranty gives you and us specific legal rights and you may also have other rights which may apply.

### Warranty Service Procedure

Should it become necessary to have your equipment serviced under the terms of the warranty, please follow these steps:

1. Call your ARX distributor for a Return Authorization (RA) number;
2. **Carefully** repack the unit, in its original packaging where possible, including a note with a description of the problem, and a copy of the receipt showing date of purchase. Attach these to the actual unit itself. Don't forget to write your name and address clearly, and include a phone number where you can be contacted during normal business hours. Make it easy for our service technicians to contact you if they have a question. Also, use **plenty** of packing material - better to be safe than sorry.
3. Send the unit freight prepaid to ARX Systems, at the address given you with your RA number. We will pay the return freight when the serviced unit is returned to you.
4. We strongly recommend you insure the package. We can't fix it if it gets lost! Send it by UPS, Fedex, DHL or any similar service that can track the package. Parcel Post is *not* recommended

If Warranty Registration Card is missing, please write to ARX in the country of purchase, stating model and where purchased, or to ARX, PO Box 15, Moorabbin, Victoria 3189, Australia.

Or you can Email us at: [info@arx.com.au](mailto:info@arx.com.au)

# MIXXMaster™ Multi Channel Master Mixer

## OWNER'S MANUAL



ARX Systems Pty Ltd, PO Box 15,  
Moorabbin, Victoria 3189, Australia  
Phone: (03) 9555 7859 Fax: (03) 9555 6747  
International Fax: +61-3 -9555 6747  
On the Web: [www.arx.com.au](http://www.arx.com.au)  
Email: [info@arx.com.au](mailto:info@arx.com.au)

**! IMPORTANT - PLEASE READ THIS FIRST !**

THIS IS A DUAL VOLTAGE UNIT. IT IS ESSENTIAL THAT YOU CHECK THAT THE VOLTAGE ON THE FUSEHOLDER COVER BELOW THE AC CONNECTOR ON THE REAR OF THE CHASSIS IS SET CORRECTLY BEFORE CONNECTING IT TO AC POWER.



THIS IS SET FOR 100 V  
AC TO 120 V AC  
OPERATION



THIS IS SET FOR 220 V  
AC TO 240 V AC  
OPERATION

To change, pull fuseholder out and rotate 180°, then push in again. Do not insert power cable into unit until voltage has been correctly set. Do not connect power cable to AC power until voltage has been correctly set



**RoHS**

**CE** **N1819**

Manufactured in Australia

Complies with 89/336/EEC EMC Directive, amended by 92/31/EEC and 93/68/EEC; meets the following standards: EN 55013 : 1990, Sections 3.2 and 3.5, EN 55020 : 1988, Sections 4.3, 5.4, 6.2, 7.0, 8.0., and EN 60950 : 1994 Low Voltage Directive

Complies with Australian Standard AS/N25 1053

Our policy is one of continuous improvement, and therefore designs may change without notice. However, unless otherwise stated, specifications will always equal or exceed those previously given.

**WARNING SYMBOLS USED ON THIS EQUIPMENT**



This symbol is intended to alert you to the presence of important operating instructions contained in this owner's manual



This symbol is intended to alert you to the presence of uninsulated dangerous voltage within the product's enclosure that may be of sufficient magnitude to constitute a risk of electric shock.



This symbol indicates that a Slow Blow fuse is used in this equipment. Replace with same type and value only

**CAUTION**  
RISK OF ELECTRIC SHOCK  
DO NOT OPEN

TO PREVENT ELECTRIC SHOCK, DO NOT REMOVE COVER OR BACK OF UNIT  
NO USER-SERVICEABLE PARTS INSIDE  
REFER SERVICING TO QUALIFIED PERSONNEL

**WARNING**

TO PREVENT FIRE OR SHOCK HAZARD, DO NOT EXPOSE THIS UNIT TO RAIN OR MOISTURE

**ATTENTION**  
RISQUE DE CHOC ÉLECTRIQUE - NE PAS OUVRIR

*Specifications*

**Inputs** 2 channel Mic/Line plus 3 x stereo channel Line Mixer Microphone inputs: Electronically Balanced on XLR Connectors; nominal 2 K Ohm impedance  
Stereo Line/Aux Inputs: Hi Z Buffered inputs on ¼" Jacks

**Mic Priority** Switchable Channel 1 override; 20dB attenuation to all other channels

**Input Gain** Variable 20dB to 60dB on Mic/Line channels by rear panel trim control, plus Mic/Line input switch (-20dB pad)

**Channel Level** oo to +6dB Gain

**Channel Pan** True L & R constant level Control

**Mic and Line Channel EQ**

Low 100Hz	15dB Cut/Boost Shelving
Mid 800HZ	15dB Cut/Boost Bell, Broad Q
High 10KHz	15dB Cut/Boost Shelving

**Frequency Response** 20-20KHz ±1dB

**Distortion** Below .005% 100Hz to 10KHz

**Master Outputs Signal/Noise** -90dB unweighted

**Phantom Power** +48VDC switchable on all Microphone Inputs

**Mic Channel Outputs** 150 Ohms Line Level Balanced TRS jack connector

**Master Outputs** Electronically Balanced XLR 300 ohms Line Level

**Max Output Level** +20dB

**Open Buss Outputs** Virtual Earth Signal Level, 5 pin DIN connector with shielded cable

**Power** 100-120/220-240 VAC 50/60HZ 8VA (8 watts) 3 pin IEC connector with removable cable

Complete online documentation is available on the ARX website:

[www.arx.com.au/mixxmaster.htm](http://www.arx.com.au/mixxmaster.htm)

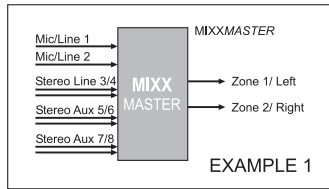
Specific queries can be emailed to the factory at [info@arx.com.au](mailto:info@arx.com.au)



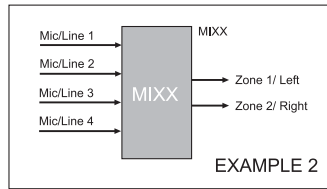
ARX® is a Registered Trade Mark of ARX Systems Pty Ltd. MIXXMaster™ is a trade mark of ARX Systems Pty Ltd. Any other names and trademarks are used for information purposes only, and no other intent is expressed or implied



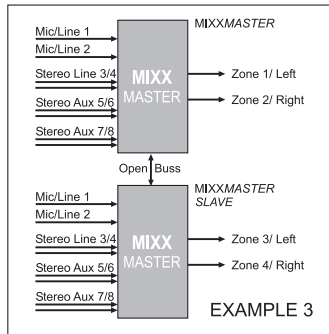
## Application Notes for the MIXX System



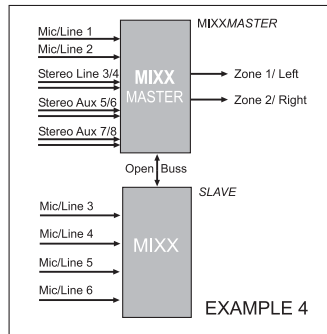
1 x MIXXMaster gives you:  
 2 Balanced Mic/Line Inputs with EQ  
 1 Stereo Line Input with EQ  
 1 Stereo Auxiliary Input **plus**  
 2 Balanced Zone Outputs



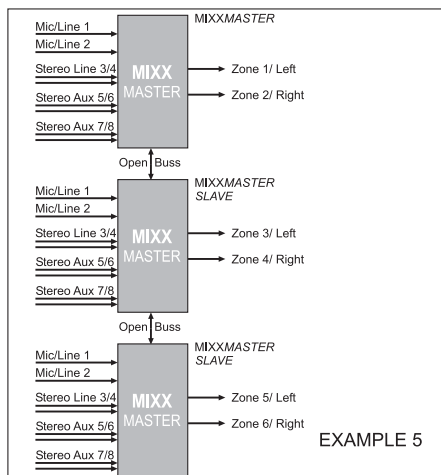
1 x MIXX gives you:  
 4 Balanced Mic/Line Inputs with EQ, **plus**  
 2 Balanced Zone Outputs



2 x MIXXMasters, set up as 1 Master and 1 Slave gives you:  
 4 Balanced Mic/Line Inputs with EQ  
 2 Stereo Line Inputs with EQ  
 2 Stereo Auxiliary Inputs **plus**  
 4 Balanced Zone Outputs



1 x MIXXMaster and 1 x MIXX, set up as 1 Master and 1 Slave gives you:  
 6 Balanced Mic/Line Inputs with EQ  
 1 Stereo Line Input with EQ  
 1 Stereo Auxiliary Input **plus**  
 2 Balanced Zone Outputs



3 x MIXXMasters, set up as 1 Master, and 2 Slaves gives you:  
 6 Balanced Mic/Line Inputs with EQ  
 3 Stereo Line Inputs with EQ  
 3 Stereo Auxiliary Inputs **plus**  
 6 Balanced Zone Outputs

Well, there you have it - just a few of the setup options for your *MIXX* and *MIXXMaster* units.  
 At a time when rack space is at a premium, both the *MIXX* and *MIXXMaster* use the minimum amount possible but are still able to provide total mixing flexibility, no matter what the application.  
 The ARX *MIXX* system - it's all you need.

## Introduction

Thank you for choosing this ARX MIXXmaster Mixer. We hope you enjoy using it as much as we enjoyed creating it. As with all ARX equipment, it has undergone extensive factory calibration and 'burn in' before shipping. To ensure continued trouble free use, please familiarise yourself with the contents of this manual before using your MIXXMaster.

## About the MIXX series

The MIXX series from ARX consists of two innovative new products using the exclusive new ARX "open buss" architecture. This neat idea allows mixing and zoning systems of any complexity to be easily constructed using only **two** standard products:

- The MIXX 4 channel Microphone mixer
- The MIXXMASTER multi channel Microphone/Line Mixer.

Each MIXX series product can be used as a stand alone Audio Mixer, but together the MIXX series form a powerful Mixing/Zoning System second to none in user-friendliness, simplicity and total flexibility. Each unit has access on the rear panel to the open buss. Just connect up a MIXX with a MIXXMaster unit as necessary, to give you the number of channels and outputs you require. The MIXX/MIXXMasters can **easily** be configured to suit your *exact* requirements.

And we even include the leads!

If you are using more than one MIXXMaster, then designate one of them as the Master and the other(s) as Slaves by pressing the rear mounted switch.

Each Microphone and Stereo Line input has 3 way EQ, plus Balanced Low Noise Microphone inputs. The MIXXMaster also has 3 stereo channels of Unbalanced Line inputs, as well as Balanced Master outputs. On the MIXX, the Mic Channels also have a direct output, ideal for recording applications, as well as Balanced Master outputs..

Switchable Phantom power is available on all Mic Inputs.

**Please Note:** When using the headphone out socket of an mp3 player into the front panel mini jack, reduce the level on the mp3 player until you have audibly checked that it is not overloading the input.